

MATERIALS REQUIRED

1. MACHINE BOLTS (1/2")

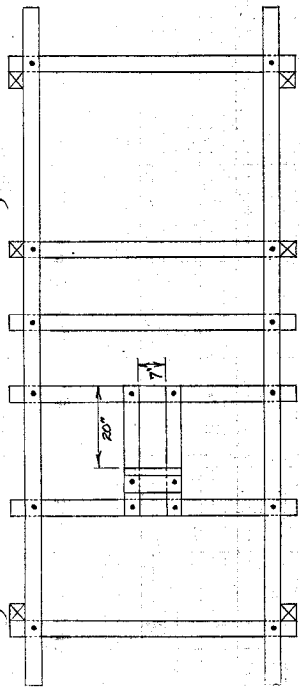
- 34 @ 7"
- 10 @ 9"
- 2 @ 11"
- 16 @ 12"

2. ROUGH HEMLOCKS

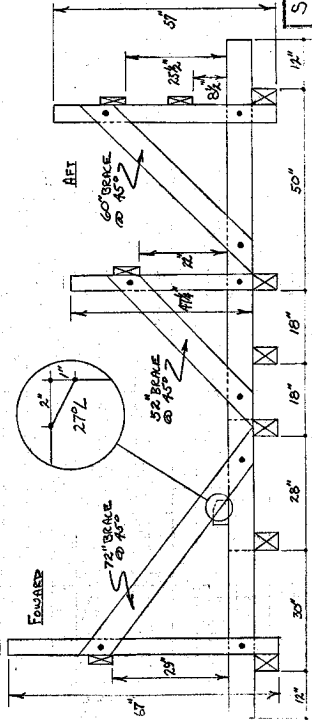
- 2" X 6" - 1 @ 10"
- 2 @ 12"
- 2 @ 14"
- 4" X 4" - 6 @ 10"
- 4" X 6" - 1 @ 10"
- 3 @ 12"
- 2 @ 14"

3. CUTTING

- 2" X 6" - 3 @ 50"
- 2 @ 52"
- 2 @ 54"
- 2 @ 56"
- 2 @ 58"
- 2 @ 60"
- 2 @ 62"
- 2 @ 64"
- 2 @ 66"
- 2 @ 68"
- 2 @ 70"
- 2 @ 72"
- 2 @ 74"
- 2 @ 76"
- 2 @ 78"
- 2 @ 80"
- 2 @ 82"
- 2 @ 84"
- 2 @ 86"
- 2 @ 88"
- 2 @ 90"
- 2 @ 92"
- 2 @ 94"
- 2 @ 96"
- 2 @ 98"
- 2 @ 100"



PLAN VIEW



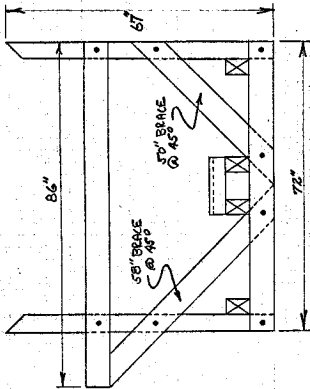
LEFT SIDE ELEVATION

SABRE 34
CRABBLE

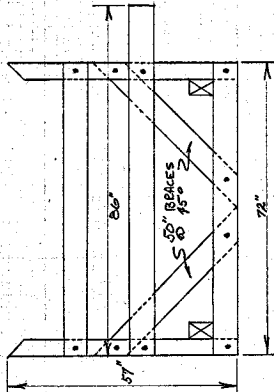
SCALE: 1/2" = 1'-0"
DATE: 7-1-77
BY: [Signature] APVD:

Sabre Yachts
SABRE YACHTS, INC.
S.O. CASCO, MAINE

DWG NO: 70726A



FORWARD ELEVATION




REAR ELEVATION

SABRE 34
CLEALE

Sabre Yachts
SO. CASCO, MAINE

SCALE: $\frac{1}{2} = 1'-0"$

DATE: 7-26-77

BY:  APVD:

DWG NO: 7072-68